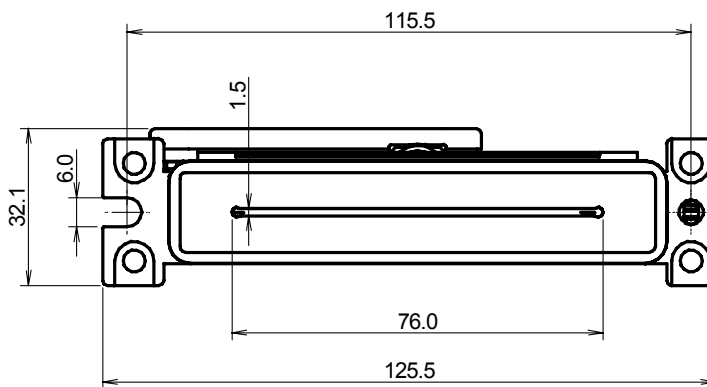
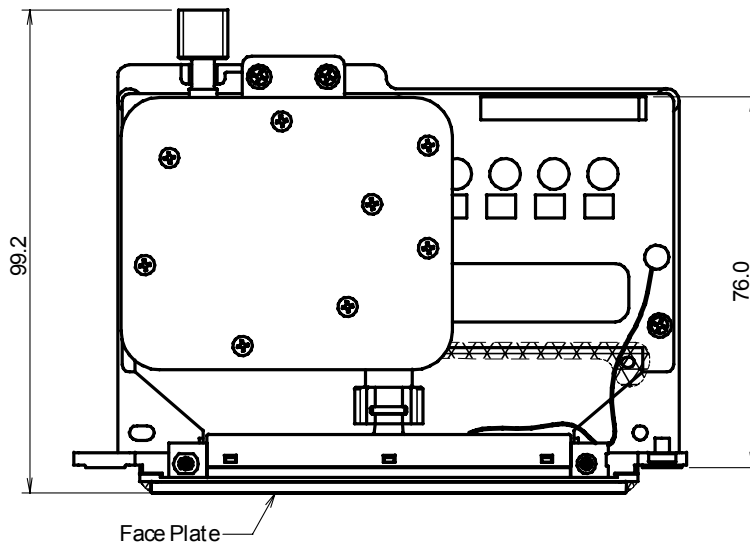
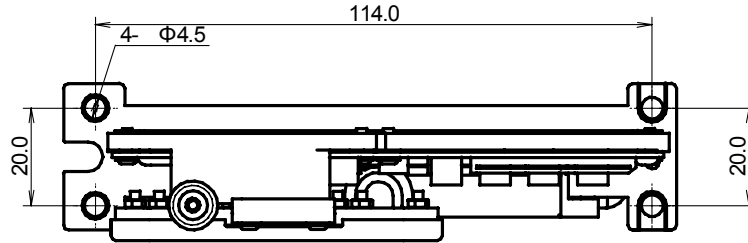


JetT510 Technical Specifications



Technology	Drop On Demand Piezo
Active Nozzles	510
Native Resolution	180 dpi
Active Print Swath	2.8 inches (71.8mm)
Drop Volume	35 pl
Firing Frequency	6-8 KHz
Linear Print Speed	0.49 m/sec @360dpi, 7KHz
Interface	30 Pin Proprietary parallel I/F
Dimensions	4.95 in W x 3.48 in H x 1.18 in D 125.5mm W x 88.5mm H x 30mm D
Weight	.0044lb (200g)

Dimensional Data



General tolerance ± 1.0
Unit: mm